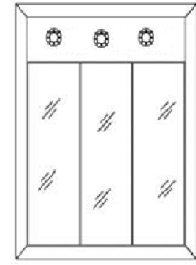


### Granville MEDICINE CABINET

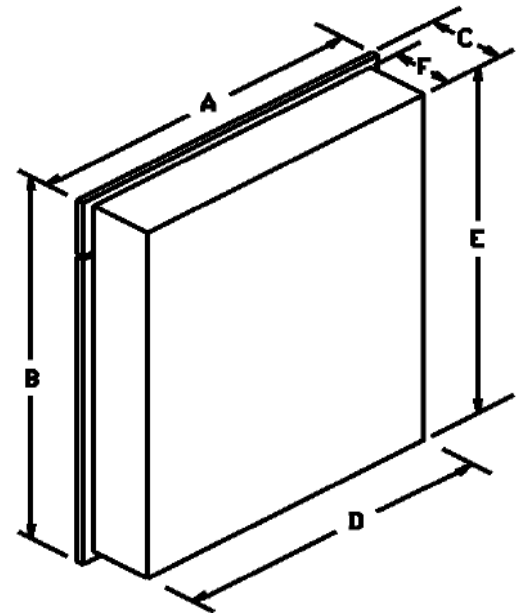


#### FEATURES/TYPICAL SPECIFICATIONS

- Surface-Mounted Installation
  - Two Integral Mounting Bars
  - Pre-Drilled Mounting Holes (4 typical)
- Housing/Body is Panel Style Construction (WD)
  - Particle Board Construction with PVC Laminate
  - MDF Back Panel with Honey Oak PVC Laminate on interior cabinet surface
  - Dowel/Glue & Tongue Construction
- Solid Wood Frame with Miter Cut Corners
  - Solid oak with Honey Oak Finish (OK01)
  - The frame is attached to the top, bottom, and side panels of housing by glue and tongue in groove or glue and wooden dowels as a minimum.
- Mirror Doors (3 typical)
  - Right-hand swing (2 typical) and left-hand swing (1 typical)
  - Polished Edges, 4 sides
  - Laminated Protective Mirror Backing
- Shelves, particle board with honey oak PVC laminate (2 typical)
  - Fixed, non-removable (FX)
- Chrome finish glass pivot hinges, set of two (3 sets typical) (HG03)
- Spring-loaded, espresso magnetic touch latch fastened to cabinet body aligns to chrome finished metal striker plate on the mirror door back (3 typical)
- Polished edge mirror backed light fixture with satin nickel (NI4) socket cups (3 typical). Uses three incandescent 60 watt maximum, medium base, G style, 120V bulbs (I60G) - bulbs not included.
- Includes Mounting Hardware

#### Finishes:

Housing: OK01-Honey Oak  
 Mirror: POL1-Polished Edge  
 Frame: OK01-Honey Oak



#### CARB 93120 Phase 2 Compliant for Formaldehyde

		Dimensions In Inches					
Model #	Description	A	B	C**	D	E	F
755395	MEDCAB 3DR 24X30 FMLS WD	24	30	4¾	22½	28-3/16	4

\*\* Cabinet depth does NOT include light bulbs, socket cups, or the sockets.

REFERENCE	QTY.	REMARKS	Project
			Location
			Architect
			Engineer
			Contractor
			Submitted by <span style="float: right;">Date</span>

\* All models and material specifications are subject to change or withdrawal without notice.