

### Mirage MEDICINE CABINET



#### FEATURES/TYPICAL SPECIFICATIONS

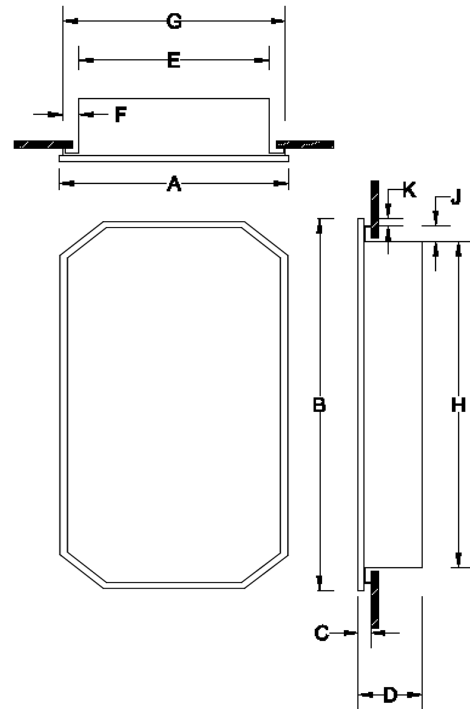
- Recess Mount Installation
  - Wall Opening/Rough-in Dimensions 14" x 18" x 3 1/2"
- One piece drawn steel housing (HY/ST)
  - 24 gauge steel with white, heat cured, acrylic paint finish
- Frameless mirror door
  - 3/16" thick float glass octagon mirror door front with 1/2" beveled edges (1/2 BVL)
  - 22 gauge steel door back with white, heat cured, acrylic paint finish
- 16" piano hinge welded to the door and mechanically fastened to the cabinet body (HG01) (1 typical)
- Magnetic catch in cabinet body flange aligns to stainless steel striker plate on the door (1 typical)
- Reversible for left-hand or right-hand door swing
- High-Impact, clear polystyrene shelves, adjustable (ADJ) / plastic (PC) (2 typical)
- Aluminum shelf brackets (4 typical)
- Includes installation hardware
- Pallet Quantity = 24 units

#### Finishes:

Housing: PT01—Basic White

Mirror: 1/2 BVL -1/2" Bevel Edge

Frame: Frameless



		Dimensions In Inches									
Model #	Description	A	B	C	D	E	F	G	H	J	K
1454	MEDCAB 1DR 18X27 FMLS HY/ST	17-15/16	26-15/16	1 1/2	4 3/4	13 3/8	1-7/16	16 1/2	17 3/8	1-7/16	3 1/4

REFERENCE	QTY.	REMARKS	Project
			Location
			Architect
			Engineer
			Contractor
			Submitted by
			Date

\* All models and material specifications are subject to change or withdrawal without notice.