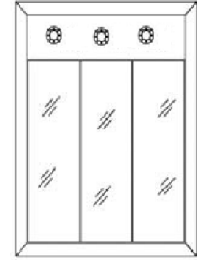


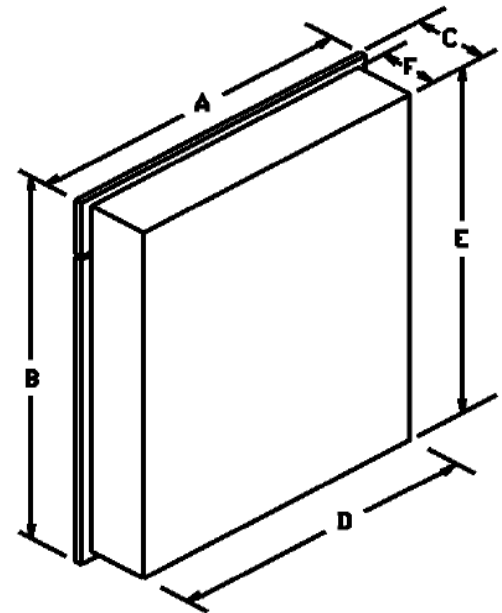
Ashland MEDICINE CABINET



FEATURES/TYPICAL SPECIFICATIONS

- Surface-Mounted Installation
 - Two Integral Mounting Bars in each of two inner sections
 - Pre-Drilled Mounting Holes (4 typical)
- Housing/Body is Panel Style Construction (WD / FMLS)
 - Particle Board Construction with white PVC Laminate
 - MDF Back Panel with white PVC Laminate on interior cabinet surface
 - Dowel/Glue & Tongue & Groove Construction
 - A partition creates two separate inner sections in the cabinet with one section about twice the width of the other
- Frameless mirror doors, outside doors (2 typical), center door (1 typical)
 - Particle Board Construction with white PVC Laminate
 - Mirrors on the outside doors have 1/2" bevel edge on bottom and outside edge. Center door has 1/2" bevel edge on bottom only. All non-bevel edges are polished.
- Shelves, particle board with white PVC laminate (2 typical in each inner section)
 - Fixed, non-removable (FX)
- Satin Nickel European Hinges, concealed, adjustable, and self-closing on center door (HG12) (2 typical)
- Satin Nickel Full Wrap Hinges on each outside door (HG24) (4 typical / 2 per door)
- Magnet in white plastic cover fastened to cabinet body aligns to metal striker plate on the outside doors (2 typical)
- Mirror backed light fixture
 - Top mirror has 1/2" bevel edge on both sides and top with polished bottom edge. Top mirror is positioned so the 1/2" bevel edge completes the full bevel edge perimeter on the cabinet front
 - Satin Nickel (NI4) socket cups (3 typical).
 - Uses three incandescent 60 watt maximum, medium base, G style, 120V bulbs (I60G) - bulbs not included.
- Includes Mounting Hardware

Finishes:
 Housing: PT02-Classic White
 Mirror: Combination 1/2 BVL -1/2" Bevel Edge and POL1- Polished Edge
 Frame: Frameless



**CARB 93120 Phase 2 Compliant
for Formaldehyde**

All models and material specifications are subject to change or withdrawal without notice.

		Dimensions In Inches					
Model #	Description	A	B	C**	D	E	F
755427	MEDCAB 3DR 23X28 FMLS WD	23 ³ / ₈	27 ⁷ / ₈	4 ³ / ₄	22 ¹ / ₈	26 ³ / ₄	4

** Cabinet depth does NOT include light bulbs, socket cups, or the sockets.

REFERENCE	QTY.	REMARKS	Project	
			Location	Date
			Architect	
			Engineer	
			Contractor	
			Submitted by	