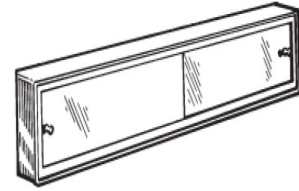


V24 Cosmetic Box

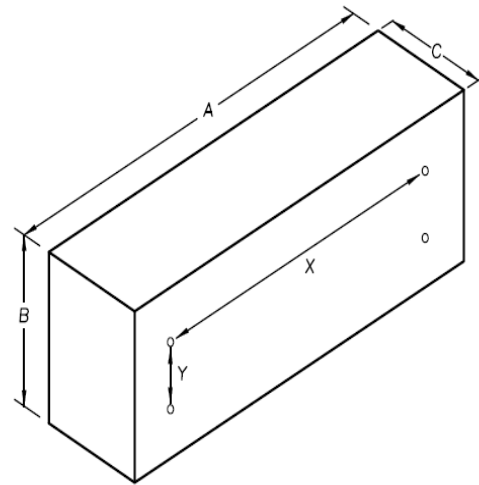


FEATURES/TYPICAL SPECIFICATIONS

- Surface Mount Installation
 - Pre-drilled mounting holes spacing: $y = 5.0''$ center-to-center and $x = 20.0''$ center-to-center
- Formed and welded steel housing construction (WB/ST)
 - 25 gauge steel with white, heat cured, acrylic paint finish
 - Exterior of housing has 25 gauge Bright Stainless Steel panels on top and both sides with a 25 gauge trim rail along the housing bottom
 - Panels and trim rail provide a Bright Stainless Steel frame around the door opening of the housing
- Sliding Mirror Doors
 - $3/32''$ thick float glass mirror door with polished edges on the two short sides (2 typical)
 - Mirror doors slide in plastic dual slotted tracks (2 typical / one top & one bottom) snapped into housing
 - Clear plastic door handle (2 typical)
- 26 gauge galvanized steel toothbrush holder with white, heat cured, enamel paint finish
- Mounting hardware included
- Pallet quantity = 48 units

Finishes:

- Housing: PT01 - Basic White
 SS8 - Polished Stainless Steel
- Mirror Door: POL1-Polished Edge 2S
- Frame: SS8—Polished Stainless Steel formed by housing trim



		Dimensions In Inches		
Model #	Description	A	B	C
V24	COSMETIC BOX 24X9 SS8	24 $\frac{1}{4}$	8 $\frac{3}{4}$	4 $\frac{1}{4}$

REFERENCE	QTY.	REMARKS	Project
			Location
			Architect
			Engineer
			Contractor
			Submitted by Date

* All models and material specifications are subject to change or withdrawal without notice.